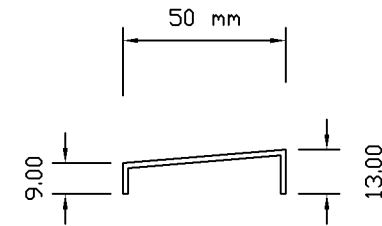
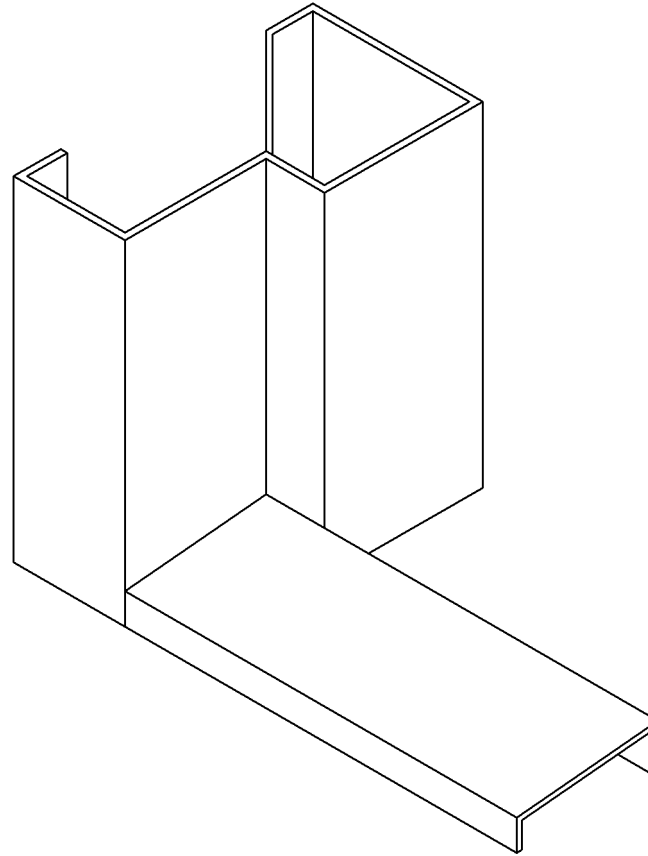


This type of cill is only ever used on an inward opening door. The cill is fitted in the rebate of the frame, with the slope running down towards the outside. Thus if any rain runs down the door onto the cill it will then run down the slope of the cill and onto the outside floor.



Please quote drawing ref & drawing revision number when ordering

Handings and sizes must be confirmed when ordering

VIEWED FROM

B TYPE CILL

DRAWING REVISION:

HANDING:

DRAWING REF:

HANDING:

CUSTOMER:

OPENS:

DRAWN BY:

GDL

DATE:

OPENS: